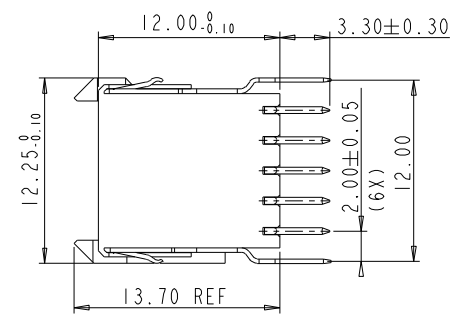
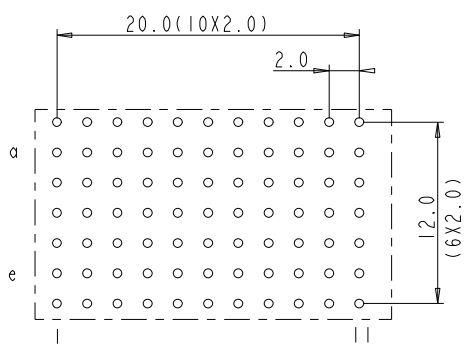
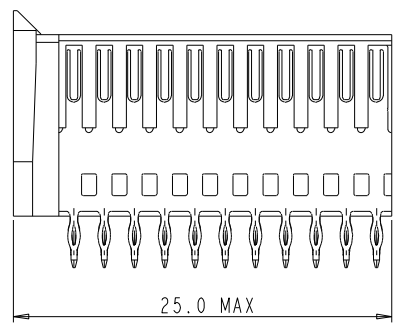
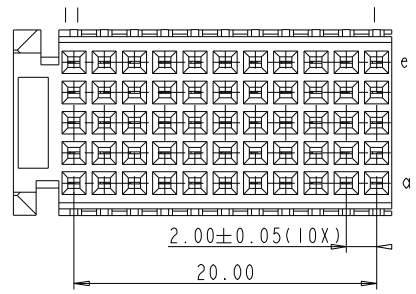


Tous droits strictement réservés. Reproduction ou communication à des tiers interdite sous quelque forme que ce soit sans autorisation écrite du propriétaire. Propriété de c FCI. Droits de reproduction FCI.



All rights strictly reserved. Reproduction or issue to third parties in any form whatever is not permitted without written authority from the proprietor. Property of FCI. Copyright FCI.



PERFORMANCE CHARACTERISTICS

- CURRENT RATING : 1.5A AT 20°C (FULLY LOADED)
- 1 A AT 70°C (FULLY LOADED)
- RATED VOLTAGE : 500 V AC (CONT /CONT)
- OPERATING TEMPERATURE : -55°C TO 125°C
- CONTACT RESISTANCE 20 MΩ MAX
- INSERTION FORCE : 0.75N MAX/CONT
- EXTRACTION FORCE : 0.15N MIN/CONT
- INSULATION RESISTANCE : 10⁴ MΩ MIN

- NOTES
1. " " LEAD FREE INDICATOR : LF=LEAD FREE
 PERFORMANCE LEVEL INDICATOR (REF DWG NO.BSC .201844.003)
 2. THIS PRODUCT IS CSA APPROVED. THIS PRODUCT IS UL RECOGNIZED.
 3. FOR RECOMMENDED PTH DIMENSIONS REFER DRAWING :BS.A.201572.001
 4. THIS PRODUCT (LF) MEETS EUROPEAN UNION DIRECTIVES AND OTHER COUNTRY REGULATIONS AS DESCRIBED IN GS-22-008

Material		Spec ref	
Mat code		✓	tolerance 1DEC±0.2 1DEC 2DEC±0.1 2DEC ANGLESET* HOEKEN
Heatreat			
Plating/Finish		MM	
Dr	M.Fret	31-10-97	size A4
Eng	Product family		Scale 2.000
Chr	Model Name		ECN
Appr	Model Revision		REL Level
title		BSC201907010	
MILLIPACS 2/TYPE C(W/O LOCK.PEG) SHIELDED		Rev. D	
Pro/E file		catalog	
PDM: Rev.D		STATUS: Released	